



Producer: **Copeland**

Line: **ZB**

Model: **ZB92KCE-TWD**

Cooling capacity [kW]: **19.66**

Displacement [m³/h]: **35.6**

Refrigerant: **R22, R134a, R404A, R407C**

Capacity control: **None**

Power supply: **400V/3Ph/50Hz**

Data

Technical data

Displacement	[m ³ /h]	35.6
Oil charge	[l]	4.14
Oil type		POE RL32-3MAF
Internal free volume	[dm ³]	20.2
Net weight	[kg]	95.00
Gross weight	[kg]	101.00

Electrical data and limits

Power supply		400V/3Ph/50Hz
Maximum continuous current	[A]	25.1
Locked rotor amperage	[A]	167.0
Motor resistance main	[Ω]	0.83
Maximum suction pressure	[bar]	22.6
Maximum discharge pressure	[bar]	32.0
Maximum suction temperature	[°C]	50.0
Minimum suction temperature	[°C]	-35.0

Dimensions

Suction connection thread diameter	[inch]	1 3/4
Discharge connection thread diameter	[inch]	1 1/4
Length	[mm]	316
Height	[mm]	532
Width	[mm]	357

Other

Approved refrigerants	R22, R134a, R404A, R407C
Allowed oil types	POE RL32-3MAF, POE MOBIL EAL Arctic 22 CC
Capacity control	None
Protection rating	IP54 (IEC34)

Performance

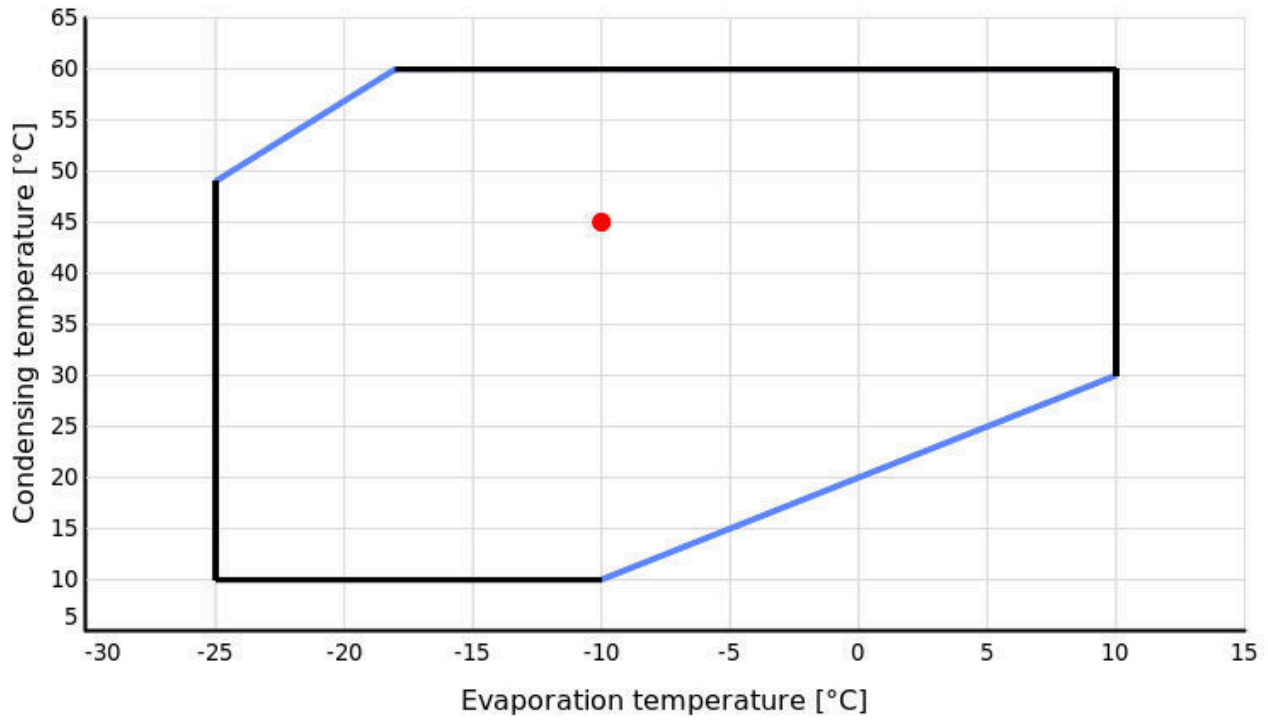
Nominal conditions: refrigerant: R404A, evaporation: -10°C (dew point), condensation: 45°C (dew point), superheating: 10K, subcooling: 0K

Cooling capacity

		Evaporation temperature [°C]								
		-25	-20	-15	-10	-5	0	5	7	10
Condensation temperature [°C]	10	17.55	21.73	26.68	32.48					
	15	16.61	20.58	25.29	30.80	37.20				
	20	15.64	19.40	23.85	29.07	35.14	42.13			
	25	14.63	18.18	22.37	27.29	33.02	39.64	47.22		
	30	13.60	16.92	20.85	25.46	30.84	37.09	44.26	47.40	52.42
	35	12.54	15.63	19.28	23.58	28.61	34.47	41.23	44.21	48.96
	40	11.44	14.30	17.67	21.64	26.32	31.79	38.13	40.93	45.43
	45	10.31	12.92	16.01	19.66	23.97	29.04	34.96	37.59	41.82
	50		11.51	14.30	17.62	21.56	26.23	31.72	34.17	38.14
	55		10.06	12.55	15.53	19.09	23.35	28.40	30.67	34.37
60			10.75	13.38	16.55	20.39	25.00	27.10	30.53	

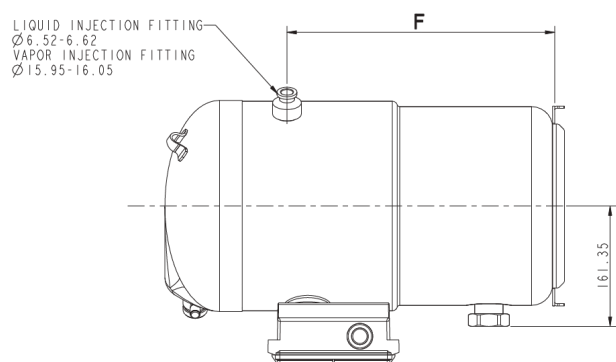
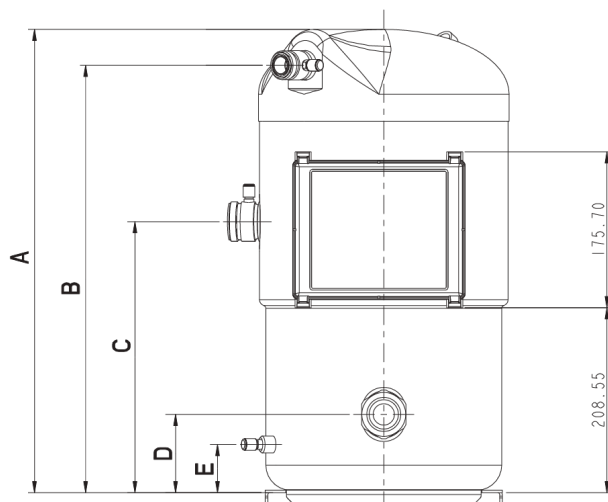
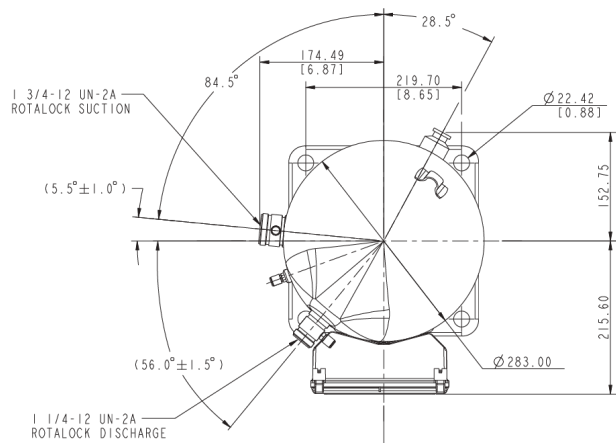
Power consumption

		Evaporation temperature [°C]								
		-25	-20	-15	-10	-5	0	5	7	10
Condensation temperature [°C]	10	4.60	4.78	5.02	5.34					
	15	5.16	5.31	5.52	5.80	6.17				
	20	5.77	5.93	6.11	6.34	6.66	7.08			
	25	6.44	6.60	6.77	6.98	7.25	7.61	8.08		
	30	7.16	7.34	7.51	7.70	7.94	8.25	8.65	8.84	9.17
	35	7.92	8.12	8.30	8.49	8.71	8.98	9.33	9.49	9.78
	40	8.72	8.96	9.16	9.35	9.56	9.80	10.11	10.25	10.50
	45	9.55	9.84	10.07	10.28	10.49	10.71	10.98	11.11	11.32
	50		10.75	11.03	11.27	11.48	11.70	11.95	12.07	12.25
	55		11.69	12.03	12.30	12.54	12.77	13.01	13.11	13.28
60			13.06	13.39	13.66	13.90	14.14	14.24	14.40	

Application range**Legend**

■ Suction gas temperature: 25°C

Dimensions



Dimensions

Dimension A	[mm]	532,4
Dimension B	[mm]	491,89
Dimension C	[mm]	305,6
Dimension D	[mm]	88,4
Dimension E	[mm]	54,5